
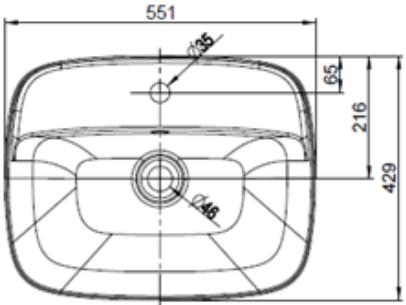
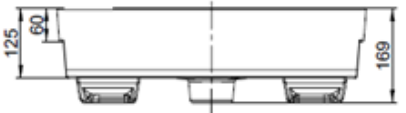
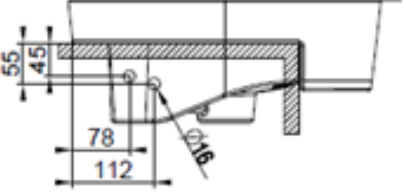





PROJECT		REF		REV	ITEM CODE	
LOCATION		DATE			PAGE	

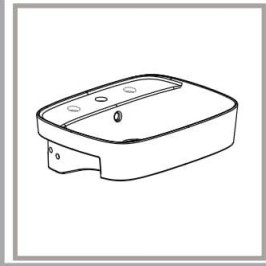
**SANITARY WARE SPECIFICATION SHEET**

<p><b>Item Descriptions</b></p> <p>American Standard (Vietnam) "Signature"          Vitreous china semi-countertop washbasin</p> <p><b>Dimensions</b></p> <p>L551 x W429 x H169 mm</p> <p><b>Model</b></p> <p>CCAS0320-1010410F0</p> <p><b>Material</b></p> <p>Vitreous China</p> <p><b>Manufacturer</b></p> <p>American Standard (Vietnam)</p> <p><b>Source</b></p> <p>Acme Sanitary Ware Co. Ltd          Mr. Eric Wong/ Mr. Don Yuen</p> <p><b>Contact Tel/Fax</b></p> <p>(852) 2388-7171 / (852) 2710-8012</p> <p><b>E-mail</b></p> <p>acme@acmesanitary.com.hk</p> <p><b>Website</b></p> <p>www.acmesanitary.com.hk</p>	<p align="center"><b>Illustration/ Drawing</b></p>    
<p><b>Detail specifications:</b>          Signature – Semi-counter Basin          With Overflow Hole          Water volume: 3.7L          Thin edge Modern Design</p> 	

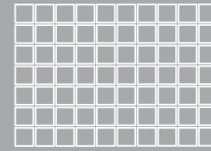
**Note:**

\* All information of the above is for the reference only. No prior notice is made if any changes.

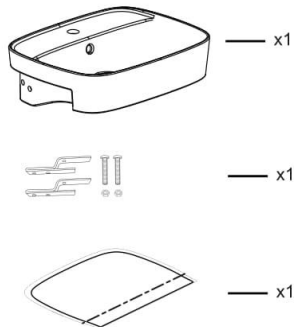
**CCAS0320-101/  
CCAS0320-104/  
CCAS0320-108**



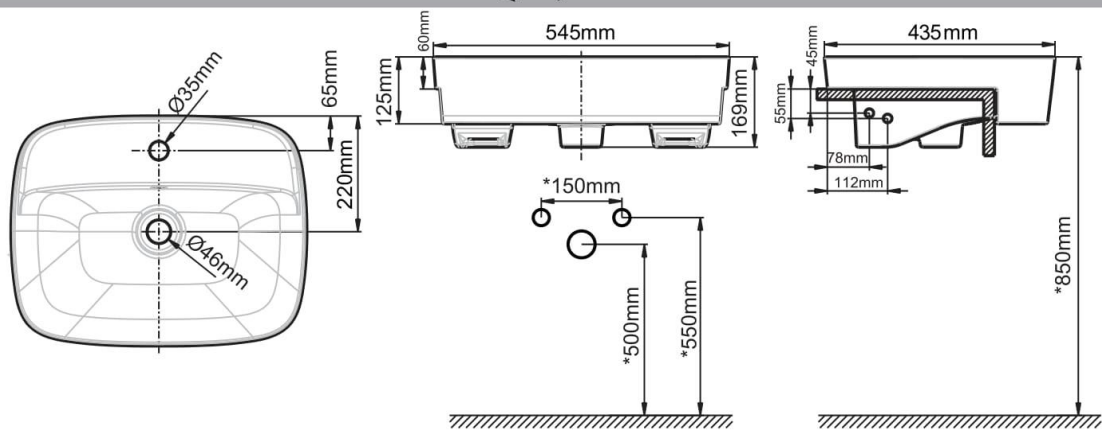
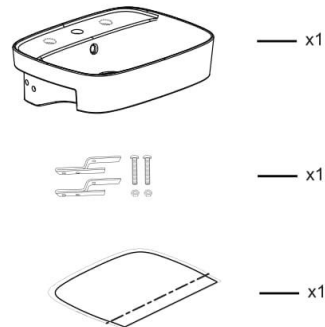
*American Standard*

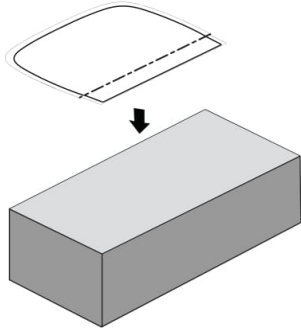


**CCAS0320-101**

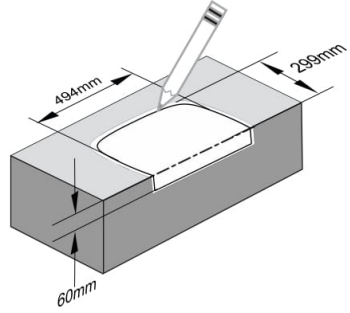


**CCAS0320-104/108**

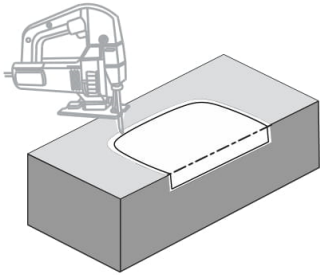




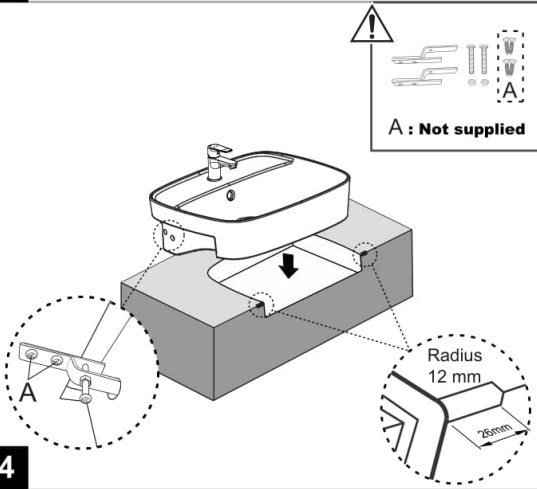
1



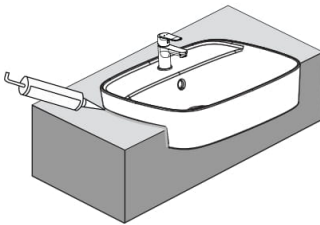
2



3



4



5

## CARE AND MAINTENANCE

## 保養和清潔

Do not use harsh abrasives or caustic cleansers to clean fixture surface. A mild detergent, warm water, and a soft cloth will remove normal dirt and soap accumulations from fittings and surfaces. Rinse thoroughly after cleaning and polish with a soft dry cloth to restore original luster of material.

不要用粗糙的研磨劑和腐蝕性的清洗劑清潔產品表面。用溫和的清潔劑，溫和的水和一張軟布就可以將配件和產品表面的一般污漬和肥皂聚積物清除乾淨。在清洗之後用柔軟的乾布將產品表面擦乾使恢復原有的光澤。